

GREEN 50GHZ COMPACT FIBER OPTICAL INTERLEAVER

CFOI050 Series

Product Description

Oplink's compact, low-dispersion interleavers greatly expand wavelength channel counts in DWDM systems. It is the best solution to upgrade existing 100GHz spacing transport system. Oplink's DWDM interleavers feature excellent wide, flat passband and high isolation. Both Mux and Demux functions are supported. These interleavers are athermal and therefore require no temperature control. Its stable center wavelength accuracy over C or L band 80 channels is suitable for higher bit rate application. The Green CFOI is compliant with industry green initiatives such as RoHS and WEEE.



Performance Specification

CFOI050 Series	Min	Typical	Max	Unit
Center Wavelength Range	1529.55		1561.42	nm
Center Frequency Range	192000		196000	GHz
Channel Center Wavelength		ITU Grid		
Input Channel Spacing		50		GHz
Output Channel Spacing		100		GHz
Clear Bandwidth		± 8		GHz
Insertion Loss ¹⁾		1.0	1.8	dB
Ripple		0.2	0.3	dB
Insertion Loss Uniformity		0.2	0.4	dB
Adjacent Channel Isolation	22			dB
Polarization Dependent Loss (PDL)		0.2	0.3	dB
Polarization Mode Dispersion (PMD)		0.2	0.3	ps
Chromatic Dispersion	- 30			ps/nm
Return Loss	45	50		dB
Directivity	50	55		dB
Operating Power Handling			24	dBm
Operating Temperature		0 to +65		°C
Storage Temperature		-40 to +85		°C
Fiber Type		Corning SMF-28		
Package Dimensions ³⁾		100.5 (L) x 60.0 (W) x 10.3 (H)		mm

Note:

[1] The maximum IL is under all states of polarization and within the full operating temperature and wavelength ranges specified.

[2] All spec excluding connectors

[3] The mechanical tolerance should be +/-0.2mm on all package dimensions unless otherwise custom specified.

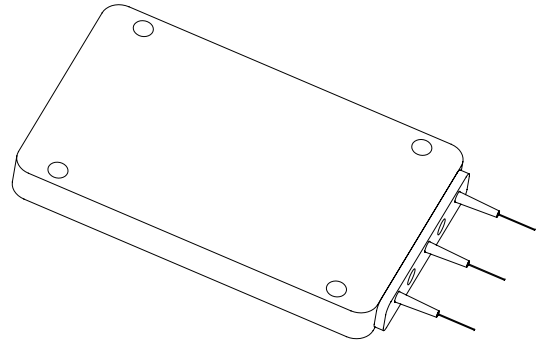
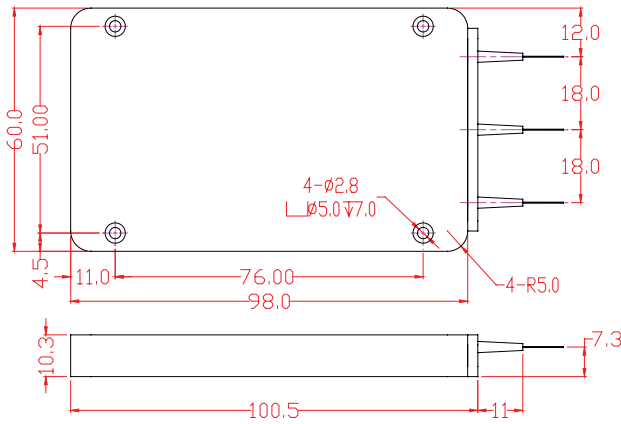
Features

- ◆ Compact size
- ◆ Low Dispersion
- ◆ Completely passive
- ◆ Ultra-low insertion loss
- ◆ Highly stable & reliable
- ◆ Epoxy-free optical path
- ◆ Environmental green plan Compliance

Applications

- ◆ Metro and Long Haul DWDM system
- ◆ Network capacity expansion
- ◆ Signal comb filtering

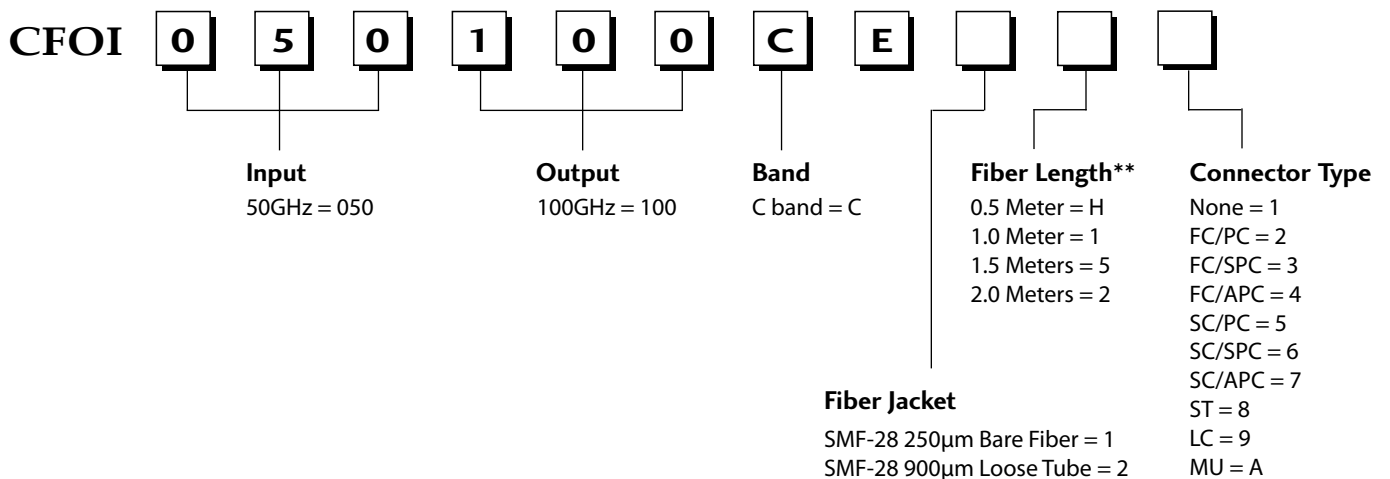
Mechanical Drawing / Package Dimensions (dimension in mm)



- NOTE:
1. MAT'L OF HSG & CVR: ALUM 6061-T6.
 2. FINISH:COLOR INHERENT QUALITIES.
 3. UNITS: MM.
 4. TOL'S: .X=±0.2
.XX=±0.1
 - 5.PROJECTION:

Ordering Information

Oplink can provide a remarkable range of customized optical solutions. For detail, please contact Oplink's OEM design team or account manager for your requirements and ordering information (510) 933-7200.



** The tolerance of fiber length is +/-0.1m. 1 meter is standard. The lead-time for special fiber length will be longer.