

GREEN 100GHz 4/8 Channel Dense Wavelength Division Multiplexing

DWDMG1 4/8ch Series

Product Description

Oplink's 100GHz Dense Wavelength Division Multiplexer is based on patented athermal platform for optical device. This multiplexer features ultra low insertion loss, super thermal stability, and unparallel reliability. The technology is a lead-free packaging platform and no epoxy in the optical path. Green 100GHz DWDM is Telcordia GR-1221 and GR-1209 tested, qualified for uncontrolled environment applications and complied with industry green initiatives such as RoHS and WEEE.

Oplink can provide customized designs to meet specialized feature applications. Also, Oplink offers modular assemblies that integrate other components to form a full function module or subsystem.



Performance Specification

| DWDMG 100GHz 4/8Ch Series | | Min | Typical | Max | Unit |
|------------------------------------|-----------|----------------------|---------|-----|------|
| Working Wavelength Range | | 1528~1640 | | | nm |
| Center Wavelength λ_c | | ITU Grid | | | nm |
| Channel Spacing | | 100 | | | GHz |
| Passband Bandwidth | | $\lambda_c \pm 0.11$ | | | nm |
| Insertion Loss ¹⁾ | 4-Channel | 1.80 | 2.00 | dB | |
| | 8-Channel | 3.20 | 3.60 | | |
| Polarization Dependent Loss (PDL) | | 0.20 | | | dB |
| Polarization Mode Dispersion (PMD) | | 0.20 | | | ps |
| Passband Ripple | | 0.50 | | | dB |
| Adjacent Channel Isolation | | 30 | | | dB |
| Non-adjacent Channel Isolation | | 40 | | | dB |
| Return Loss | | 45 | | | dB |
| Directivity | | 50 | | | dB |
| Operating Power | | 500 | | | mW |
| Operating Temperature | | 0 to +70 | | | °C |
| Storage Temperature | | -40 to +85 | | | °C |
| Fiber Type | | Corning SMF-28 | | | |
| Package Dimensions ³⁾ | | 125 x 90 x 8 | | | mm |

Note:

¹⁾ The maximum IL is under all states of polarization and within the full operating temperature and wavelength ranges specified..

²⁾ All the parameters are excluding connectors.

³⁾ The mechanical tolerance should be +/-0.2 mm on all package dimensions unless otherwise custom specified.

Features

- ◆ Environmental Green Plan Compliance
- ◆ Ultra-Low Insertion Loss
- ◆ Narrow Down Distribution
- ◆ Super Thermal Stability
- ◆ Highly Reliability
- ◆ High Channel Isolation

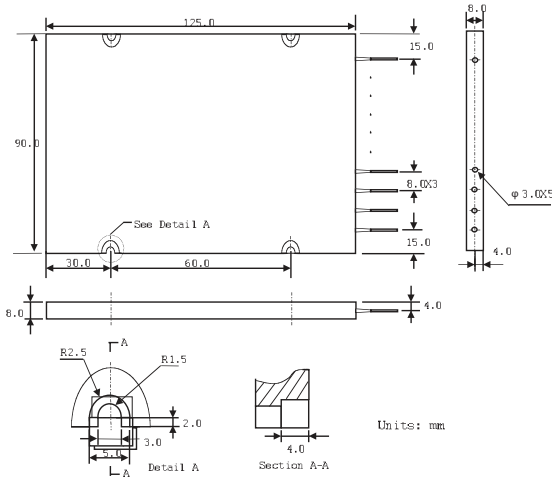
Applications

- ◆ Dense WDM System
- ◆ CATV Fiberoptic Links

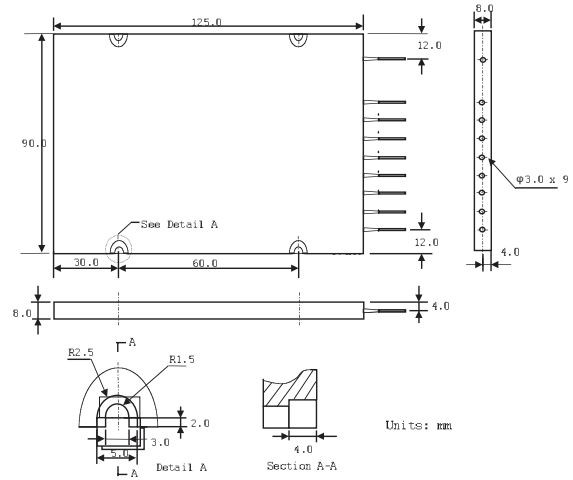
DWDMG1 4/8CH SERIES

Mechanical Drawing / Package Dimensions (dimension in mm)

4ch

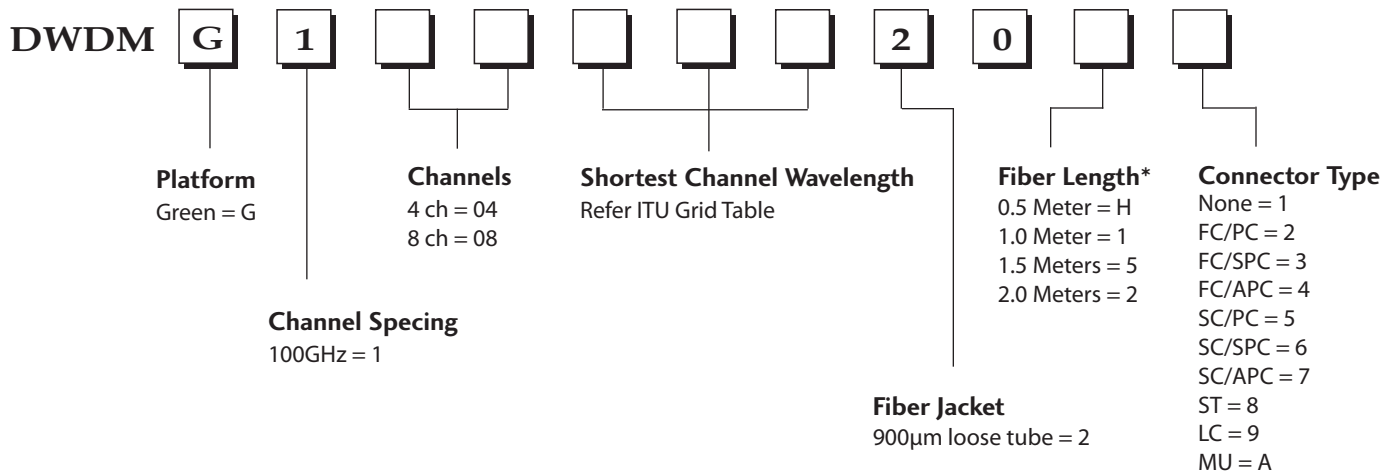


8ch



Ordering Information

Oplink can provide a remarkable range of customized optical solutions. For detail, please contact Oplink's OEM design team or account manager for your requirements and ordering information (510) 933-7200.



* The tolerance of fiber length is +/-0.1m. 1 meter is standard. The lead-time for special fiber length will be longer.